

# APS-CK Series

## Features

HMI

SENSOR

ENCODER

COUNTER

INFORMATION

## PBT Resin Cylinder, 2-wire DC System

- Detection distance: 30 mm
- Equipped with an anchoring clamp
- Offers reliable installation because of a two-color LED that indicates the stable range (green) / unstable range (red)
- Wire-saving because of 2-wire type



Proximity  
Sensor Lineup

Selection Guide

Outline

Cylinder Type

Square Type

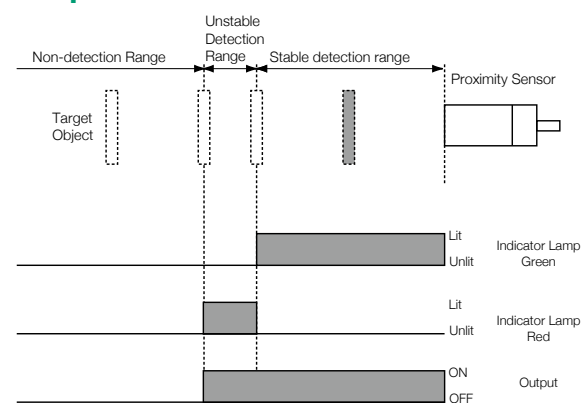
Capacitive Type

## Type

### 2-wire DC System

Output Form	Operating Distance (mm)	Output Form	Model Number	Remarks
Non-flush Mount Type	30	NO	APS30-34CK-Z	

## Operation



Note) Regarding the standard target object, the indication light color is changed at a position of about 72% of the operating distance. When the shape and material of the target object are different from the standard target object, the indication light color may be made shorter than the 72% position of the operating distance.

APS-GMC

APS-GMD






APS-GK

APS-30/31

APS-CK

# APS-CK Series

## 2-wire DC System Non-flush Mount Type

PLC HMI SENSOR ENCODER COUNTER INFORMATION Proximity  
Sensor Lineup

Selection Guide

Outline

Cylinder Type

Square Type

Capacitive Type


APS-GMC

APS-GMD

APS-GK

APS-30/31

APS-CK

Effective Operating Distance	30 mm±15%	
Photo		
Remarks	Accessories Clamp for fixing (With 2 screws and washers each)	
Output Form	NO	Model Number APS30-34CK-Z
		Price Open
Rated Working Voltage	12/24 V DC (10 to 30 V DC) Allowable ripple rate: 3% p-p or less	
Standard Target Object (mm)	Iron 60 x 60 x 1 t	
Guaranteed Operating Distance	0 to 21.6 mm	
Reaction Material	Iron/Non ferrous metal (Operating distance changes depending on materials.)	
Hysteresis	Approx. 20% or less	
Operating Cycle Frequency	Up to 10 Hz	
Rated Working Current	5 to 100 mA	
Voltage Drop	5 V or lower	
Off-state Current	1.0 mA or lower	
Indicator Lamp	Operation indication: Red or green lights up when output is ON. Installation indication: Green lights up within the stable detection range.	
Use Ambient Temperature	-10 to +50°C	
Temperature Characteristics	Within ±15% (At the operating distance at +23°C)	
Withstand Voltage	500 V AC 50/60Hz (1 minute)	
Insulation Resistance	50 MΩ or higher (500 V DC)	
Vibration Resistance	Double amplitude: 1.5 mm, 10 to 55 Hz (2 h each for X, Y and Z direction)	
Impact Resistance	490m/s <sup>2</sup> , within 11 ms (10 times each for X, Y and Z direction)	
Protection Level	IP67	
Case Material	PBT resin	
Lead Wire	Oilproof vinyl chloride cable 2 m Outside diameter (about $\phi$ 5.9) 0.5 mm <sup>2</sup> , 2 core	
Tightening Torque	5 Nm or less	
Weight (g)	Approx. 180	

# APS-CK Series

## Connection and Operation



HMI



SENSOR



ENCODER



COUNTER



INFORMATION

Proximity Sensor Lineup

Selection Guide

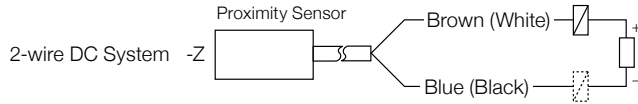
Outline

Cylinder Type

Square Type

Capacitive Type

### Connection/Operation



( Target Object    Not Present    Present )

Output    OFF    ON

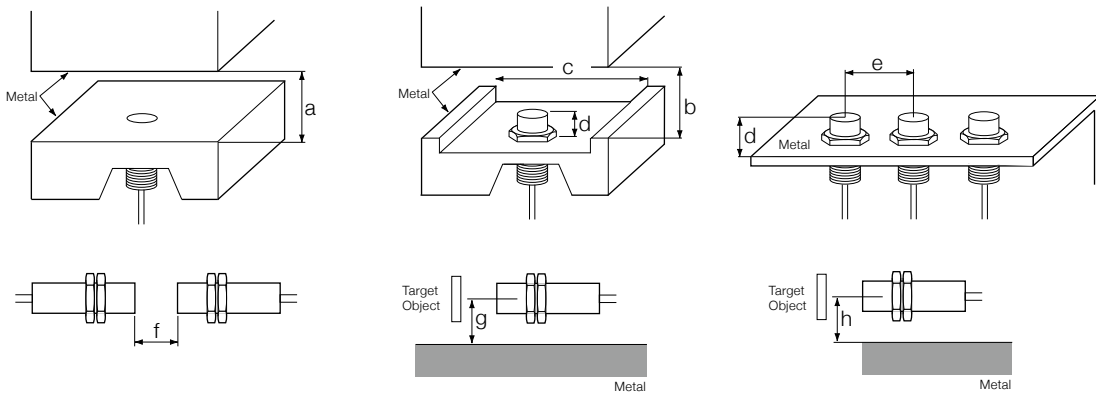
Operation Indication    OFF    ON

The load can be connected to either side of the power source.

Note: indicates a load.

### Installation / Effects of Surrounding Metal

Since the proximity sensor is affected by surrounding metal, install it remotely enough from the described dimensions.



(Unit: mm)

Model Number	a	b	c	d	e	f	g	h
APS30-34CK-Z	—	90	136	60	136	120	100	68

APS-GMC

APS-GMD

APS-GK

APS-30/31

APS-CK

# APS-CK Series

## Connection and Operation/Dimensions

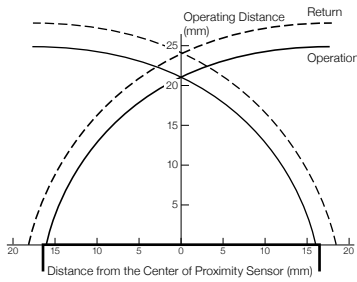
- PLC
- HMI
- SENSOR**
- ENCODER
- COUNTER
- INFORMATION

- Proximity Sensor Lineup
- Selection Guide
- Outline
- Cylinder Type**
- Square Type
- Capacitive Type

- APS-GMC
- APS-GMD
- APS-GK
- APS-30/31
- APS-CK**

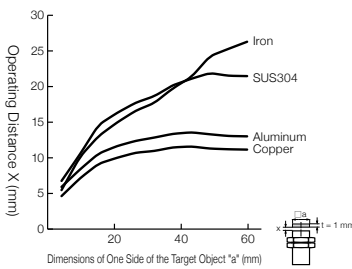
### Detection Range Diagram (Representative Examples)

APS30-34CK-Z



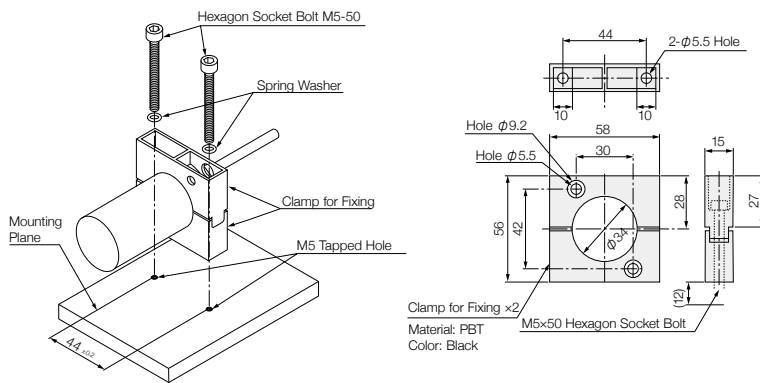
### Shape Based Characteristics (Representative Examples)

APS30-34CK-Z



### Installation (Unit: mm)

APS30-34CK-Z



### Dimensions (Unit: mm)

APS30-34CK-Z

