



PROGRAMMABLE CONTROLLERS

MELSEC-F

FX_{2N}-2DA SPECIAL FUNCTION BLOCK

FX_{2N}

USER'S GUIDE

JY992D74901F

This manual contains text, diagrams and explanations which will guide the reader in the correct installation and operation of the FX_{2N}-2DA special function block and should be read and understood before attempting to install or use the unit.

Further information can be found in the FX SERIES PROGRAMMING MANUAL(II), FX_{0N}/FX_{1N}/FX_{2N}/FX_{2Nc} SERIES HARDWARE MANUAL of each PLC.

Compliance with EC directive (CE Marking)

This note does not guarantee that an entire mechanical module produced in accordance with the contents of this note will comply with the following standards.

Compliance to EMC directive and LVD directive for the entire mechanical module should be checked by the user/manufacturer. For more information please consult with your nearest Mitsubishi product provider. Regarding the standards that comply with the main unit, please refer to either the FX series product catalog or consult with your nearest Mitsubishi product provider.

Requirement for Compliance with EMC directive

The following products have shown compliance through direct testing (of the identified standards below) and design analysis (through the creation of a technical construction file) to the European Directive for Electromagnetic Compatibility (2004/108/EC) when used as directed by the appropriate documentation.

Attention

- This product is designed for use in industrial applications.

Note

- Authorized Representative in the European Community:
Mitsubishi Electric Europe B.V.
Gothaer Str. 8, 40880 Ratingen, Germany

Type: Programmable Controller (Open Type Equipment)

Models: MELSEC FX_{2N} series manufactured

from December 1st, 1998 FX_{2N}-2DA

Standard	Remark
EN61131-2: 2007 Programmable controllers - Equipment requirements and tests	Compliance with all relevant aspects of the standard. EMI <ul style="list-style-type: none"> • Radiated Emission • Conducted Emission EMS <ul style="list-style-type: none"> • Radiated electromagnetic field • Fast transient burst • Electrostatic discharge • High-energy surge • Voltage drops and interruptions • Conducted RF • Power frequency magnetic field

Caution for EC Directive

The FX_{2N}-2DA have been found to be compliant to the European standards in the aforesaid manual and directive. However, for the very best performance from what are in fact delicate measuring and controlled output device Mitsubishi Electric would like to make the following points;

As analog devices are sensitive by nature, their use should be considered carefully.

For users of proprietary cables (integral with sensors or actuators), these users should follow those manufacturers installation requirements.

Mitsubishi Electric recommend that shielded cables should be used. If NO other EMC protection is provided, then users may experience temporary loss or accuracy between $\pm 10\%$ in very heavy industrial areas.

However, Mitsubishi Electric suggest that if adequate EMC precautions are followed for the users complete control system, users should expect accuracy as specified in this manual.

- Sensitive analog cable should not be laid in the same trunking or cable conduit as high voltage cabling. Where possible users should run analog cables separately.
- Good cable shielding should be used. When terminating the shield at Earth - ensure that no earth loops are accidentally created.

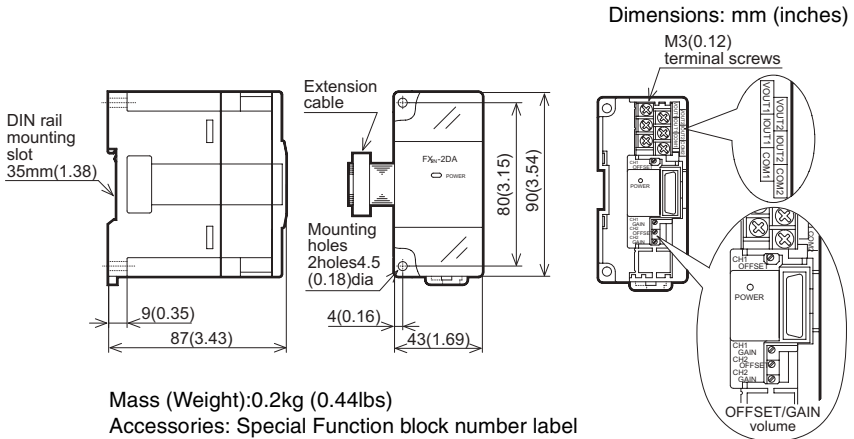
1. INTRODUCTION

The FX2N-2DA type analog output block (hereafter referred to as the FX2N-2DA) is used to convert a digital value of 12 bits into an analog output of two points (voltage and current output), and to forward the values to the Programmable Controller (hereafter referred to as a PLC).

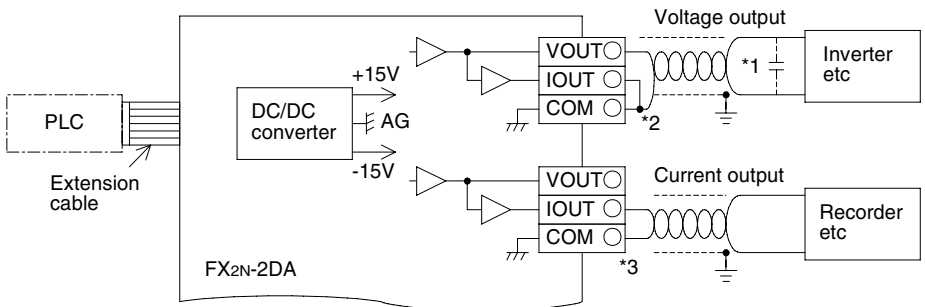
FX2N-2DA can be connected to the FX0N, FX1N, FX2N, and the FX2NC series Programmable Controllers.

- 1) The analog output is selected from the voltage or current output by the method of connecting wires. At this time, assume setting to be two channels common analog output.
- 2) The two analog output channels can accept outputs of 0 to 10V DC, 0 to 5V DC, or 4 to 20mA. (A mixture of voltage/current output is possible.)
- 3) Resolution is 2.5mV (0 to 10V DC) and 4μA (4 to 20mA).
- 4) The digital to analog conversion characteristics can be adjusted.
- 5) The block occupies 8 I/O points which can be allocated from either the inputs or outputs.
- 6) The data transfer with the PLC uses the FROM/TO instructions.

2. EXTERNAL DIMENSIONS AND PARTS



3. WIRING



*1 Connect a 0.1 to 0.47 μF 25V DC capacitor respective to position *1 when there is voltage ripple in the voltage output or there is a lot of noise.

*2 For voltage output please short circuit IOU and COM as shown in the diagram.

*3 Channel number enter ○.

4. CONNECTION WITH PROGRAMMABLE CONTROLLER

- 1) The FX2N-2DA and main unit are connected by a cable on the right of the main unit.
- 2) Up to 4 FX2N-2DA units can connect to the FX0N series PLC, up to 5 for FX1N, up to 8 for FX2N or, up to 4 for the FX2NC series PLC, all with powered extension units. However the following limitation exists when the undermentioned special function blocks are connected.

FX2N: Main unit and powered extension units of 32 points I/O or less. Consumption current available for undermentioned special function blocks ≤ 190mA

FX2N: Main unit and powered extension units of I/O 48 points or more. Consumption current available for undermentioned special function blocks ≤ 300mA

FX2NC: Up to 4 undermentioned special function blocks can be connected regardless of the system I/O.

FX0N/1N: Main unit and powered extension units. Up to 2 undermentioned special function blocks can be connected regardless of the system I/O.

	FX2N-2DA	FX2N-2AD	FX0N-3A
Consumption current of 24V DC for one unit	85mA	50mA	90mA

The consumption of the above units is to be subtracted from the service power supply of the host PLC.

- 3) The blocks occupies 8 I/O points (the 8 points can be allocated from either inputs or outputs).
- 4) FX2N-2DA consumes 5V DC 30mA.
The total 5V consumption of all special function blocks connected to either an FX2N, FX2NC main unit or an FX2N extension unit must not exceed the 5V source capacity of the system.

5. SPECIFICATIONS

5.1 General specification

Item	Content
Dielectric withstand voltage	500V AC 1min (Between analog output terminals and case)

General specifications other than the above are the same as the main unit of the Programmable Controller. (Refer to the Hardware manual of the Programmable controller)

5.2 Power supply specification and others

Item	Content
Analog circuits	24V DC $\pm 10\%$ 85mA (Internal power supplied from the main unit)
Digital circuits	5V DC 30mA (Internal power supplied from the main unit)
Isolation	Photo-coupler isolation between analog and digital circuits. (No isolation between analog channels.)
Number of occupied I/O points	The blocks occupies either 8 input or output points. (Can be either inputs or outputs)

5.3 Defining gain and offset

Item	Voltage output	Current output
Range of analog output	At shipping, the unit is adjusted to a digital range of 0 to 4000 for an analog voltage output of 0 to 10V DC. When using an FX2N-2DA for current or differing voltage output except 0 to 10V DC, it is necessary to adjust the offset and gain.	
	0 to 10V DC, 0 to 5V DC (External load resistance 2K to 1M Ω)	4 to 20mA (External load resistance 400 Ω or less)
Digital input	12bit	
Resolution	2.5mV: 10V/4000(At shipment) Change depending on the output characteristic.	4 μ A: (20-4)A/4000 Change depending on the output characteristic.
Integrated accuracy	$\pm 0.1V$	$\pm 0.16mA$
Processing time	4ms/1 channel (synchronized to be sequence program)	
Output characteristics	<div style="display: flex; justify-content: space-around;"> <div style="text-align: center;"> <p>Analog value : 0 to 10V Digital value : 0 to 4000</p> <p>10.238V</p> <p>10V</p> <p>4095</p> <p>0 4000</p> <p>Digital value</p> </div> <div style="text-align: center;"> <p>Analog value : 4 to 20mA Digital value : 0 to 4000</p> <p>20.380mA</p> <p>20mA</p> <p>4mA</p> <p>4095</p> <p>0 4000</p> <p>Digital value</p> </div> </div>	
	<p>If a digital source data of greater than 12 bits is used, only the lower 12 bits will be valid. Additional (upper) bits will be ignored Use a digital value within the range from 0 to 4095. The output characteristic can be set to each of the two channels.</p>	

6. ALLOCATION OF BUFFER MEMORY (BFM)

6.1 Buffer memory

BFM number	b15 to b8	b7 to b3	b2	b1	b0
#0 to #15	Reserved				
#16	Reserved	Digital source data for output (8 bit)			
#17	Reserved		Lower data holding bit	CH1 D/A conversion beginning	CH2 D/A conversion beginning
#18 or more	Reserved				

BFM#16: The D/A conversion data of the channel specified with BFM#17 (digital value) is written.
The D/A data is written in binary in order of the lower 8bit and higher 4bit and divided into two portions.

BFM#17: b0...The D/A conversion of CH2 begins by changing of 1 \rightarrow 0.
b1...The D/A conversion of CH1 begins by changing of 1 \rightarrow 0.
b2...The lower eight bit data for the D/A conversion is held by changing of 1 \rightarrow 0.

Write data in the above-mentioned buffer memory by "8. Program example".

7. ADJUSTMENT OF OFFSET AND GAIN

7.1 Change in output characteristic

At shipment, 0 to 4000 range is selected for 0 to 10V DC output.

When using an FX2N-2DA for current or differing voltage output except 0 to 10V DC, it is necessary to readjust the offset and gain.

The output characteristic can be set for each of the two channels.

Set analog values within the range specified in the table below when changing the output characteristic.

Range of output characteristic

	Voltage output	Current output
Analog value when digital value is 0	0 to 1V	4mA
Analog value when digital value is 4000	5 to 10V	20mA

Resolution changes depending on the set value when the output characteristic changes accordingly.

Example: Resolution becomes $(5 - 0V)/4000 = 1.25mV$ at voltage output 0 to 5V/0 to 4000.

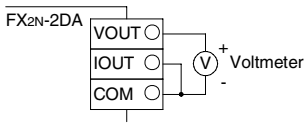
Integrated accuracy does not change. (Voltage output: $\pm 0.1V$, Current output: $\pm 0.16mA$)

7.2 Adjustment of the output characteristic

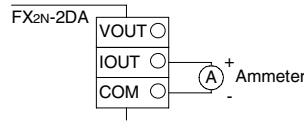
The adjustment of the offset and gain values sets a digital equivalent to the analog data.

(The "POT" requires 18 revolutions to move between MIN and MAX setting.)

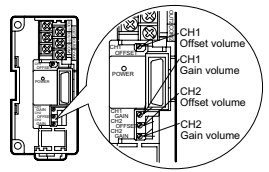
Voltage output



Current output



Volume *1

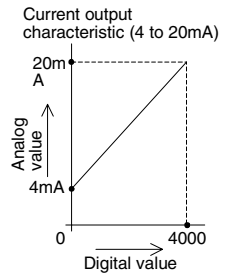
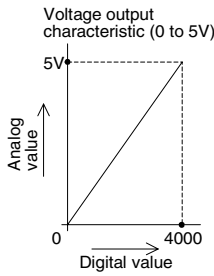
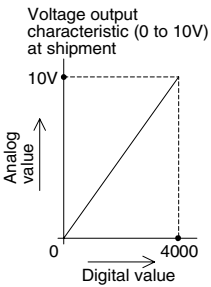


*1 The analog value increases if the volume is turned clockwise.

7.2.1 Adjustment of gain

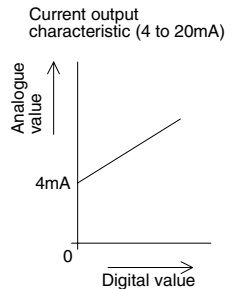
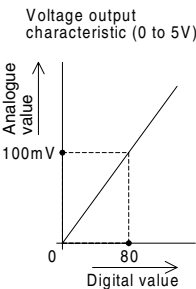
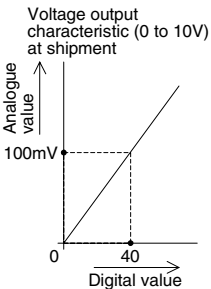
The gain value can be set to an arbitrary digital value.

However, using the maximum of 12bit resolution provides the user with a full scale analog value.



7.2.2 Adjustment of offset

The offset value in the case of voltage output is 0V. The offset value in the case of current output is 4mA. However, the offset value can be minutely adjusted if necessary. Set the following when minute adjustments are necessary.



For instance, when a digital range of 0 to 4000 is used with the analog range of 0 to 10V, a digital value of 40 is equal to an analog output of 100mV, $(40 \times 10V/4000 \text{ digital points})$. When a digital range of 0 to 4000 is used with the analog range of 4 to 20mA, a digital value of 0 is equal to an analog output of 4mA.

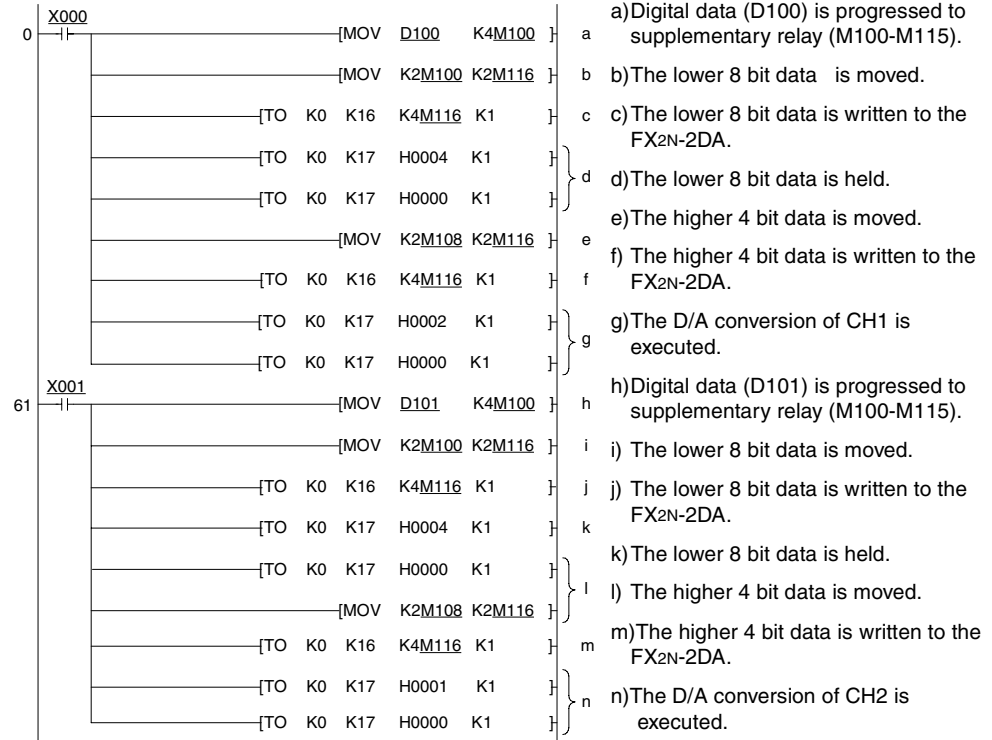
- 1) Adjust the offset and gain respectively for CH1 and CH2.
- 2) Repeat offset and gain adjustments until a stable value is obtained.
- 3) Adjust the gain before the offset.

8. PROGRAM EXAMPLE

The following program examples (8.1 and 8.2) are formula circuits.

The device numbers that have been underlined can be assigned by the user during programming.

8.1 At connection to FX0N series PLC



Digital to analog conversion execution input of CH1 :X000

Digital to analog conversion execution input of CH2 :X001

At the same time X000 and X001 can be turned ON.

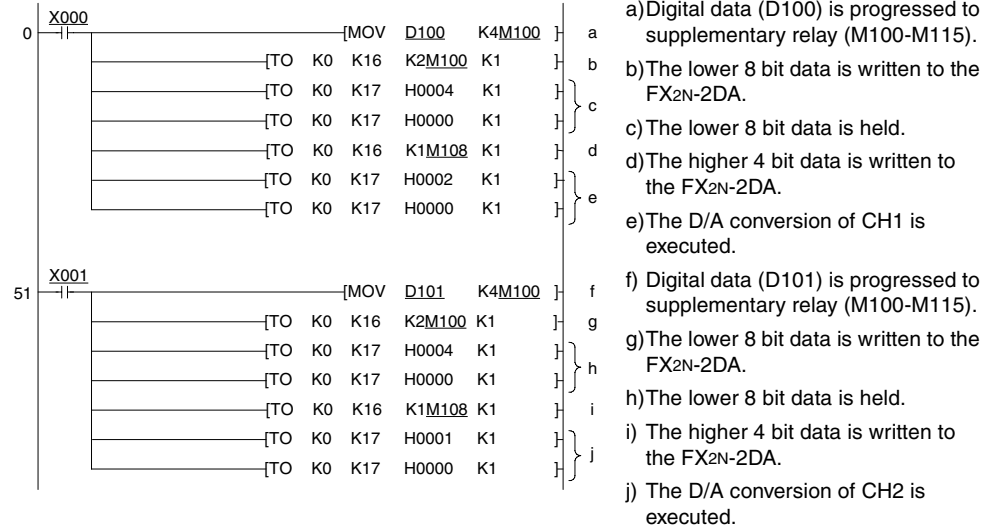
D/A output data CH1:D100 (Replace with auxiliary relay M100 to M131. Assign these numbers only once)

D/A output data CH2:D101 (Replace with auxiliary relay M100 to M131. Assign these numbers only once)

Processing time: 4ms / 1 channel

(Time until FX2N-2DA outputs analog value after turning on X000 and X001.)

8.2 At connection to FX1N, FX2N or FX2NC series PLC



Digital to analog conversion execution input of CH1 :X000

Digital to analog conversion execution input of CH2 :X001

At the same time X000 and X001 can be turned ON.

D/A output data CH1:D100 (Replace with auxiliary relay M100 to M115. Assign these numbers only once)

D/A output data CH2:D101 (Replace with auxiliary relay M100 to M115. Assign these numbers only once)

Processing time:4ms / 1 channel

(Time until FX2N-2DA outputs analog value after turning on X000 and X001.)

8.3 Connection to FX2N (V3.00 or later) or FX2NC (V3.00 or later) series PLC

Please use FNC 177 (WR3A).

Refer to FX series Programming Manual II.

9. NOTES IN DRIVE

- 1) Confirm whether the output wiring of FX2N-2DA and the connection of the extension cable are correctly done.
- 2) Confirm whether the "4. Connection with programmable controller" condition is satisfied.
- 3) When shipped from the factory, the output characteristic is adjusted to 0 to 10V DC.
If a different output characteristic is desired, please adjust as required.
- 4) The mixture use for the voltage output/the current output is possible.

10. ERROR CHECK

Confirm the following items when it seems that the FX2N-2DA does not operate correctly.

- 1) Confirm the state of POWER LED.
Lit :The extension cable is correctly connected.
Turn off or blinks :Confirm the proper connection of the extension cable.
- 2) Confirm external wiring per section "3. WIRING"
- 3) Confirm whether the load resistance of the connected equipment corresponds to the specification of the FX2N-2DA.
- 4) Confirm the Voltage and Current Output values with a voltmeter and an ammeter. Confirm the digital to analog conversion from the output characteristic. Readjust the offset and gain per "7. ADJUSTMENT OF OFFSET AND GAIN". The output characteristic when shipped from the factory is 0 to 10V DC.

Guidelines for the safety of the user and protection of the FX2N-2DA SPECIAL FUNCTION BLOCK

- This manual has been written to be used by trained and competent personnel. This is defined by the European directives for machinery, low voltage and EMC.
- If in doubt at any stage during the installation of the FX2N-2DA always consult a professional electrical engineer who is qualified and trained to the local and national standards. If in doubt about the operation or use of the FX2N-2DA please consult your local Mitsubishi Electric representative.
- Under no circumstances will Mitsubishi Electric be liable or responsible for any consequential damage that may arise as a result of the installation or use of this equipment.
- All examples and diagrams shown in this manual are intended only as an aid to understanding the text, not to guarantee operation. Mitsubishi Electric will accept no responsibility for actual use of the product based on these illustrative examples.
- Owing to the very great variety in possible application of this equipment, you must satisfy yourself as to its suitability for your specific application.

This manual confers no industrial property rights or any rights of any other kind, nor does it confer any patent licenses. Mitsubishi Electric Corporation cannot be held responsible for any problems involving industrial property rights which may occur as a result of using the contents noted in this manual.

Warranty

Mitsubishi will not be held liable for damage caused by factors found not to be the cause of Mitsubishi; opportunity loss or lost profits caused by faults in the Mitsubishi products; damage, secondary damage, accident compensation caused by special factors unpredictable by Mitsubishi; damages to products other than Mitsubishi products; and to other duties.

For safe use

- This product has been manufactured as a general-purpose part for general industries, and has not been designed or manufactured to be incorporated in a device or system used in purposes related to human life.
- Before using the product for special purposes such as nuclear power, electric power, aerospace, medicine or passenger movement vehicles, consult with Mitsubishi Electric.
- This product has been manufactured under strict quality control. However when installing the product where major accidents or losses could occur if the product fails, install appropriate backup or failsafe functions in the system.

Manual number : JY992D74901

Manual revision : F

Date : April 2015

MITSUBISHI ELECTRIC CORPORATION

HEAD OFFICE : TOKYO BUILDING, 2-7-3 MARUNOUCHI, CHIYODA-KU, TOKYO 100-8310, JAPAN



PROGRAMMABLE CONTROLLERS
MELSEC-F

FX2N

FX2N-2DA SPECIAL FUNCTION BLOCK

USER'S GUIDE

JY992D74901F

This manual contains text, diagrams and explanations which will guide the reader in the correct installation and operation of the FX2N-2DA special function block and should be read and understood before attempting to install or use the unit.

Further information can be found in the FX SERIES PROGRAMMING MANUAL(II), FX0N/FX1N/FX2N/FX2NC SERIES HARDWARE MANUAL of each PLC.

Compliance with EC directive (CE Marking)

This note does not guarantee that an entire mechanical module produced in accordance with the contents of this note will comply with the following standards.

Compliance to EMC directive and LVD directive for the entire mechanical module should be checked by the user/manufacturer. For more information please consult with your nearest Mitsubishi product provider. Regarding the standards that comply with the main unit, please refer to either the FX series product catalog or consult with your nearest Mitsubishi product provider.

Requirement for Compliance with EMC directive

The following products have shown compliance through direct testing (of the identified standards below) and design analysis (through the creation of a technical construction file) to the European Directive for Electromagnetic Compatibility (2004/108/EC) when used as directed by the appropriate documentation.

Attention

- This product is designed for use in industrial applications.

Note

- Authorized Representative in the European Community:
Mitsubishi Electric Europe B.V.
Gothaer Str. 8, 40880 Ratingen, Germany

Type: Programmable Controller (Open Type Equipment)

Models: MELSEC FX2N series manufactured

from December 1st, 1998 FX2N-2DA

Standard	Remark
EN61131-2: 2007 Programmable controllers - Equipment requirements and tests	Compliance with all relevant aspects of the standard. EMI • Radiated Emission • Conducted Emission EMS • Radiated electromagnetic field • Fast transient burst • Electrostatic discharge • High-energy surge • Voltage drops and interruptions • Conducted RF • Power frequency magnetic field

Caution for EC Directive

The FX2N-2DA have been found to be compliant to the European standards in the aforesaid manual and directive. However, for the very best performance from what are in fact delicate measuring and controlled output device Mitsubishi Electric would like to make the following points;

As analog devices are sensitive by nature, their use should be considered carefully.

For users of proprietary cables (integral with sensors or actuators), these users should follow those manufacturers installation requirements.

Mitsubishi Electric recommend that shielded cables should be used. If NO other EMC protection is provided, then users may experience temporary loss or accuracy between $\pm 10\%$ in very heavy industrial areas.

However, Mitsubishi Electric suggest that if adequate EMC precautions are followed for the users complete control system, users should expect accuracy as specified in this manual.

- Sensitive analog cable should not be laid in the same trunking or cable conduit as high voltage cabling. Where possible users should run analog cables separately.

- Good cable shielding should be used. When terminating the shield at Earth - ensure that no earth loops are accidentally created.

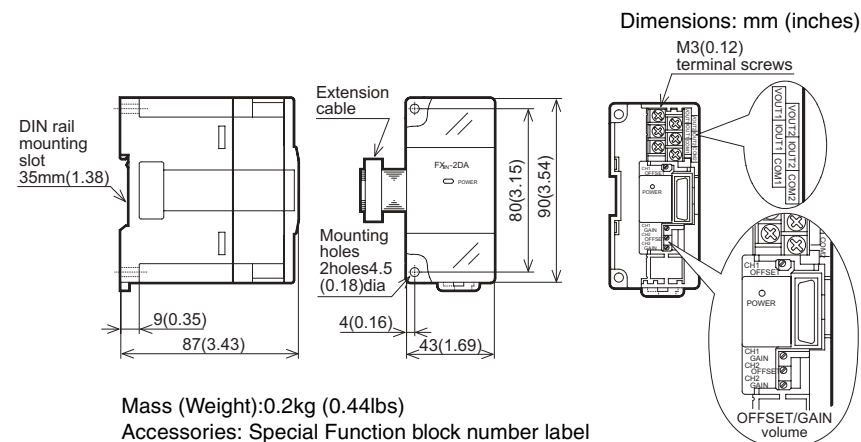
1. INTRODUCTION

The FX2N-2DA type analog output block (hereafter referred to as the FX2N-2DA) is used to convert a digital value of 12 bits into an analog output of two points (voltage and current output), and to forward the values to the Programmable Controller (hereafter referred to as a PLC).

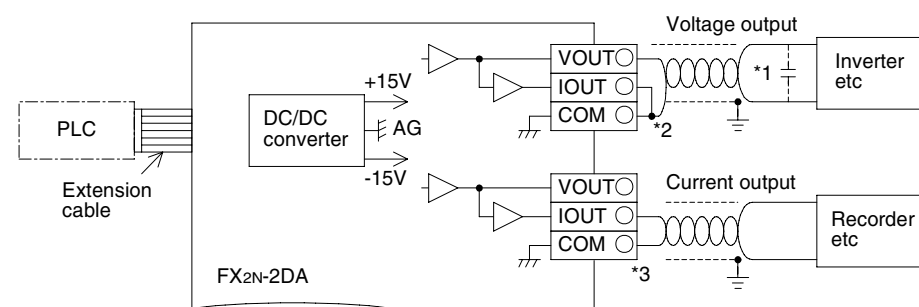
FX2N-2DA can be connected to the FX0N, FX1N, FX2N, and the FX2NC series Programmable Controllers.

- The analog output is selected from the voltage or current output by the method of connecting wires. At this time, assume setting to be two channels common analog output.
- The two analog output channels can accept outputs of 0 to 10V DC, 0 to 5V DC, or 4 to 20mA. (A mixture of voltage/current output is possible.)
- Resolution is 2.5mV (0 to 10V DC) and 4 μ A(4 to 20mA).
- The digital to analog conversion characteristics can be adjusted.
- The block occupies 8 I/O points which can be allocated from either the inputs or outputs.
- The data transfer with the PLC uses the FROM/TO instructions.

2. EXTERNAL DIMENSIONS AND PARTS



3. WIRING



*1 Connect a 0.1 to 0.47 μ F 25V DC capacitor respective to position *1 when there is voltage ripple in the voltage output or there is a lot of noise.

*2 For voltage output please short circuit IOU and COM as shown in the diagram.

*3 Channel number enter \bigcirc .

4. CONNECTION WITH PROGRAMMABLE CONTROLLER

- The FX2N-2DA and main unit are connected by a cable on the right of the main unit.
- Up to 4 FX2N-2DA units can connect to the FX0N series PLC, up to 5 for FX1N, up to 8 for FX2N or, up to 4 for the FX2NC series PLC, all with powered extension units. However the following limitation exists when the undermentioned special function blocks are connected.

FX2N: Main unit and powered extension units of 32 points I/O or less. Consumption current available for undermentioned special function blocks ≤ 190 mA

FX2N: Main unit and powered extension units of I/O 48 points or more. Consumption current available for undermentioned special function blocks ≤ 300 mA

FX2NC: Up to 4 undermentioned special function blocks can be connected regardless of the system I/O.

FX0N/1N: Main unit and powered extension units. Up to 2 undermentioned special function blocks can be connected regardless of the system I/O.

	FX2N-2DA	FX2N-2AD	FX0N-3A
Consumption current of 24V DC for one unit	85mA	50mA	90mA

The consumption of the above units is to be subtracted from the service power supply of the host PLC.

- The blocks occupies 8 I/O points (the 8 points can be allocated from either inputs or outputs).
- FX2N-2DA consumes 5V DC 30mA. The total 5V consumption of all special function blocks connected to either an FX2N, FX2NC main unit or an FX2N extension unit must not exceed the 5V source capacity of the system.

5. SPECIFICATIONS

5.1 General specification

Item	Content
Dielectric withstand voltage	500V AC 1min (Between analog output terminals and case)

General specifications other than the above are the same as the main unit of the Programmable Controller. (Refer to the Hardware manual of the Programmable controller)

5.2 Power supply specification and others

Item	Content
Analog circuits	24V DC $\pm 10\%$ 85mA (Internal power supplied from the main unit)
Digital circuits	5V DC 30mA (Internal power supplied from the main unit)
Isolation	Photo-coupler isolation between analog and digital circuits. (No isolation between analog channels.)
Number of occupied I/O points	The blocks occupies either 8 input or output points. (Can be either inputs or outputs)

5.3 Defining gain and offset

Item	Voltage output	Current output
Range of analog output	At shipping, the unit is adjusted to a digital range of 0 to 4000 for an analog voltage output of 0 to 10V DC. When using an FX2N-2DA for current or differing voltage output except 0 to 10V DC, it is necessary to adjust the offset and gain. 0 to 10V DC, 0 to 5V DC (External load resistance 2K to 1M Ω)	4 to 20mA (External load resistance 400 Ω or less)
Digital input	12bit	
Resolution	2.5mV: 10V/4000(At shipment) Change depending on the output characteristic.	4 μ A: (20-4)A/4000 Change depending on the output characteristic.
Integrated accuracy	± 0.1 V	± 0.16 mA
Processing time	4ms/1 channel (synchronized to be sequence program)	
Output characteristics	<p>Analog value : 0 to 10V Digital value : 0 to 4000</p> <p>at shipment</p> <p>10.238V</p> <p>4095</p> <p>10V</p> <p>Analog value</p> <p>0</p> <p>Digital value</p>	<p>Analog value : 4 to 20mA Digital value : 0 to 4000</p> <p>20.380mA</p> <p>4095</p> <p>20mA</p> <p>Analog value</p> <p>4mA</p> <p>0</p> <p>Digital value</p>
	If a digital source data of greater than 12 bits is used, only the lower 12 bits will be valid. Additional (upper) bits will be ignored Use a digital value within the range from 0 to 4095. The output characteristic can be set to each of the two channels.	

6. ALLOCATION OF BUFFER MEMORY (BFM)

6.1 Buffer memory

BFM number	b15 to b8	b7 to b3	b2	b1	b0
#0 to #15	Reserved				
#16	Reserved	Digital source data for output (8 bit)			
#17	Reserved	Lower data holding bit	CH1 D/A conversion beginning	CH2 D/A conversion beginning	
#18 or more	Reserved				

BFM#16: The D/A conversion data of the channel specified with BFM#17 (digital value) is written. The D/A data is written in binary in order of the lower 8bit and higher 4bit and divided into two portions.

BFM#17: b0...The D/A conversion of CH2 begins by changing of 1 \rightarrow 0.
b1...The D/A conversion of CH1 begins by changing of 1 \rightarrow 0.
b2...The lower eight bit data for the D/A conversion is held by changing of 1 \rightarrow 0.

Write data in the above-mentioned buffer memory by "8. Program example".

7. ADJUSTMENT OF OFFSET AND GAIN

7.1 Change in output characteristic

At shipment, 0 to 4000 range is selected for 0 to 10V DC output. When using an FX2N-2DA for current or differing voltage output except 0 to 10V DC, it is necessary to readjust the offset and gain. The output characteristic can be set for each of the two channels. Set analog values within the range specified in the table below when changing the output characteristic.

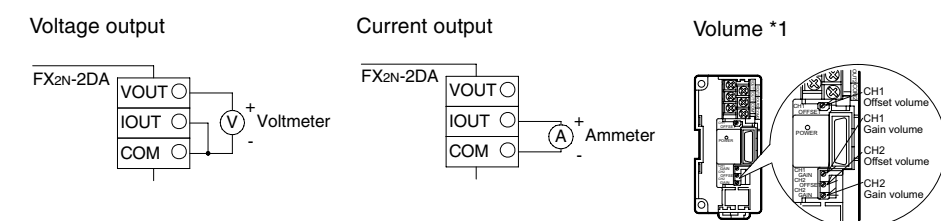
Range of output characteristic

	Voltage output	Current output
Analog value when digital value is 0	0 to 1V	4mA
Analog value when digital value is 4000	5 to 10V	20mA

Resolution changes depending on the set value when the output characteristic changes accordingly. Example: Resolution becomes $(5 - 0V)/4000 = 1.25mV$ at voltage output 0 to 5V/0 to 4000. Integrated accuracy does not change. (Voltage output: $\pm 0.1V$, Current output: $\pm 0.16mA$)

7.2 Adjustment of the output characteristic

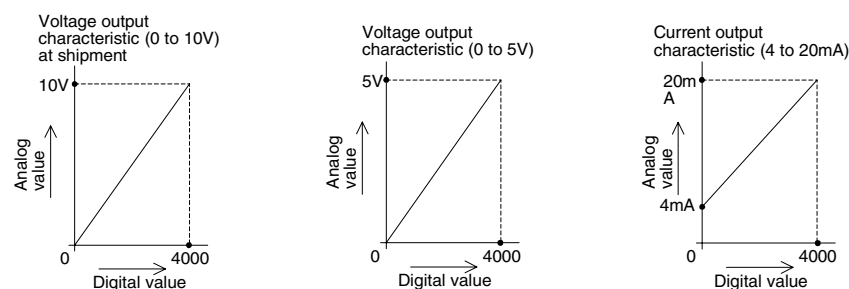
The adjustment of the offset and gain values sets a digital equivalent to the analog data. (The "POT" requires 18 revolutions to move between MIN and MAX setting.)



*1 The analog value increases if the volume is turned clockwise.

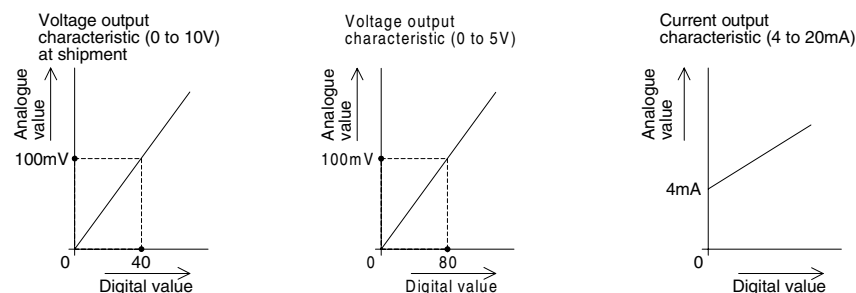
7.2.1 Adjustment of gain

The gain value can be set to an arbitrary digital value. However, using the maximum of 12bit resolution provides the user with a full scale analog value.



7.2.2 Adjustment of offset

The offset value in the case of voltage output is 0V. The offset value in the case of current output is 4mA. However, the offset value can be minutely adjusted if necessary. Set the following when minute adjustments are necessary.



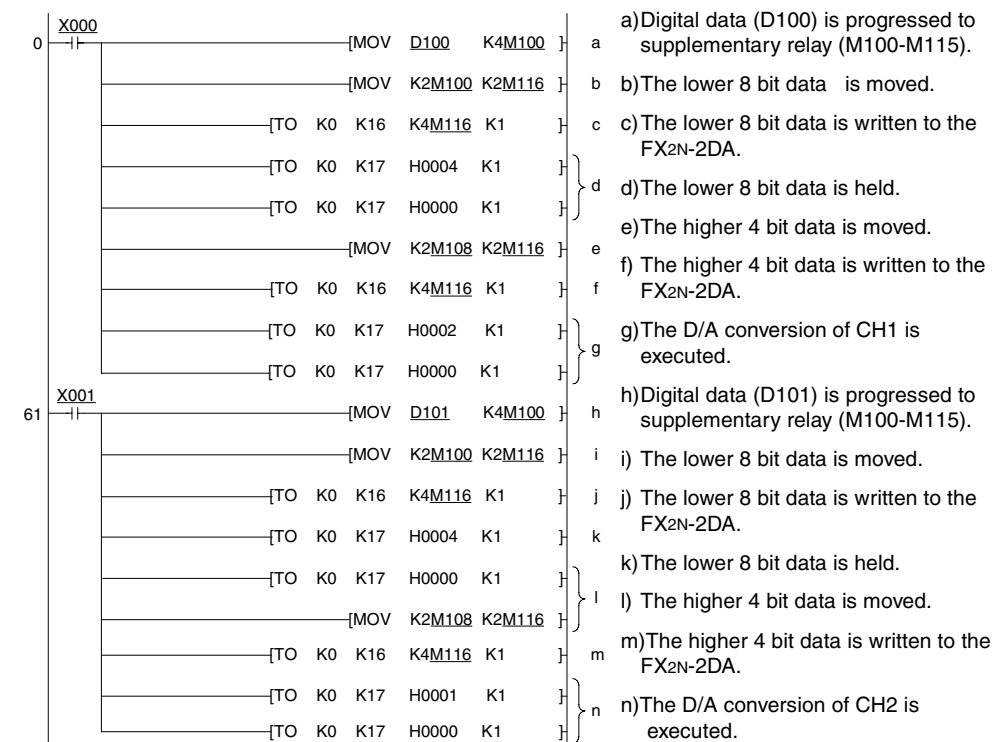
For instance, when a digital range of 0 to 4000 is used with the analog range of 0 to 10V, a digital value of 40 is equal to an analog output of 100mV, $(40 \times 10V/4000)$ digital points). When a digital range of 0 to 4000 is used with the analog range of 4 to 20mA, a digital value of 0 is equal to an analog output of 4mA.

- 1) Adjust the offset and gain respectively for CH1 and CH2.
- 2) Repeat offset and gain adjustments until a stable value is obtained.
- 3) Adjust the gain before the offset.

8. PROGRAM EXAMPLE

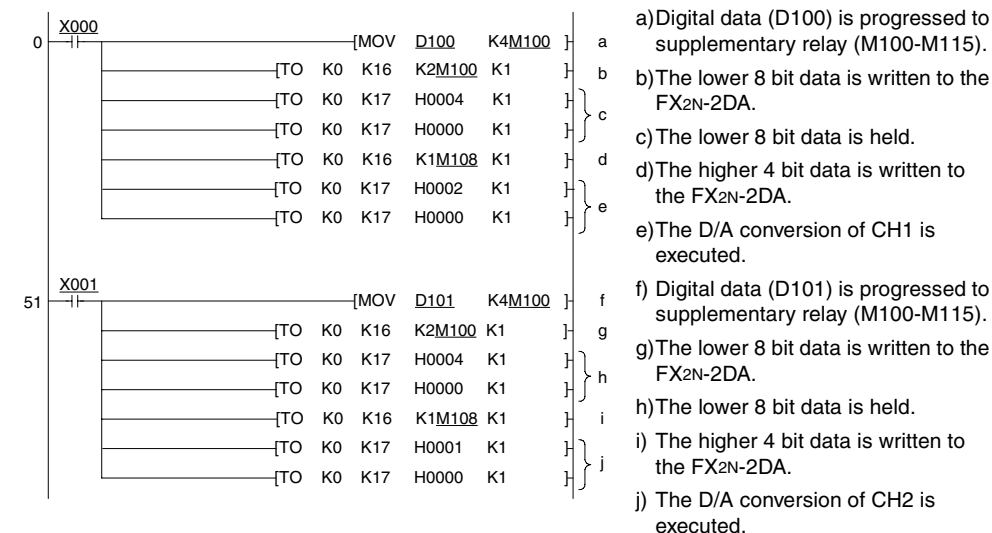
The following program examples (8.1 and 8.2) are formula circuits. The device numbers that have been underlined can be assigned by the user during programming.

8.1 At connection to FX0n series PLC



Digital to analog conversion execution input of CH1 :X000
Digital to analog conversion execution input of CH2 :X001
At the same time X000 and X001 can be turned ON.
D/A output data CH1:D100 (Replace with auxiliary relay M100 to M131. Assign these numbers only once)
D/A output data CH2:D101 (Replace with auxiliary relay M100 to M131. Assign these numbers only once)
Processing time: 4ms / 1 channel
(Time until FX2N-2DA outputs analog value after turning on X000 and X001.)

8.2 At connection to FX1N, FX2N or FX2NC series PLC



Digital to analog conversion execution input of CH1 :X000
Digital to analog conversion execution input of CH2 :X001
At the same time X000 and X001 can be turned ON.
D/A output data CH1:D100 (Replace with auxiliary relay M100 to M115. Assign these numbers only once)
D/A output data CH2:D101 (Replace with auxiliary relay M100 to M115. Assign these numbers only once)
Processing time:4ms / 1 channel
(Time until FX2N-2DA outputs analog value after turning on X000 and X001.)

8.3 Connection to FX2N (V3.00 or later) or FX2NC (V3.00 or later) series PLC

Please use FNC 177 (WR3A).
Refer to FX series Programming Manual II.

9. NOTES IN DRIVE

- 1) Confirm whether the output wiring of FX2N-2DA and the connection of the extension cable are correctly done.
- 2) Confirm whether the "4. Connection with programmable controller" condition is satisfied.
- 3) When shipped from the factory, the output characteristic is adjusted to 0 to 10V DC. If a different output characteristic is desired, please adjust as required.
- 4) The mixture use for the voltage output/the current output is possible.

10. ERROR CHECK

Confirm the following items when it seems that the FX2N-2DA does not operate correctly.

- 1) Confirm the state of POWER LED.
Lit :The extension cable is correctly connected.
Turn off or blinks :Confirm the proper connection of the extension cable.
- 2) Confirm external wiring per section "3. WIRING"
- 3) Confirm whether the load resistance of the connected equipment corresponds to the specification of the FX2N-2DA.
- 4) Confirm the Voltage and Current Output values with a voltmeter and an ammeter. Confirm the digital to analog conversion from the output characteristic. Readjust the offset and gain per "7. ADJUSTMENT OF OFFSET AND GAIN". The output characteristic when shipped from the factory is 0 to 10V DC.

Guidelines for the safety of the user and protection of the FX2N-2DA SPECIAL FUNCTION BLOCK

- This manual has been written to be used by trained and competent personnel. This is defined by the European directives for machinery, low voltage and EMC.
- If in doubt at any stage during the installation of the FX2N-2DA always consult a professional electrical engineer who is qualified and trained to the local and national standards. If in doubt about the operation or use of the FX2N-2DA please consult your local Mitsubishi Electric representative.
- Under no circumstances will Mitsubishi Electric be liable or responsible for any consequential damage that may arise as a result of the installation or use of this equipment.
- All examples and diagrams shown in this manual are intended only as an aid to understanding the text, not to guarantee operation. Mitsubishi Electric will accept no responsibility for actual use of the product based on these illustrative examples.
- Owing to the very great variety in possible application of this equipment, you must satisfy yourself as to its suitability for your specific application.

This manual confers no industrial property rights or any rights of any other kind, nor does it confer any patent licenses. Mitsubishi Electric Corporation cannot be held responsible for any problems involving industrial property rights which may occur as a result of using the contents noted in this manual.

Warranty

Mitsubishi will not be held liable for damage caused by factors found not to be the cause of Mitsubishi; opportunity loss or lost profits caused by faults in the Mitsubishi products; damage, secondary damage, accident compensation caused by special factors unpredictable by Mitsubishi; damages to products other than Mitsubishi products; and to other duties.

For safe use

- This product has been manufactured as a general-purpose part for general industries, and has not been designed or manufactured to be incorporated in a device or system used in purposes related to human life.
- Before using the product for special purposes such as nuclear power, electric power, aerospace, medicine or passenger movement vehicles, consult with Mitsubishi Electric.
- This product has been manufactured under strict quality control. However when installing the product where major accidents or losses could occur if the product fails, install appropriate backup or failsafe functions in the system.

Manual number : JY992D74901

Manual revision : F

Date : April 2015

MITSUBISHI ELECTRIC CORPORATION

HEAD OFFICE : TOKYO BUILDING, 2-7-3 MARUNOUCHI, CHIYODA-KU, TOKYO 100-8310, JAPAN

JY992D74901F

Effective April 2015

Specifications are subject to change without notice.